

One Piece Water Closet

PRODUCT FEATURES

- Dual Flush system to allow option for appropriate water usage
- Compact and space-saving
- ZeroRim design that prevents dirt accumulation
- Chrome plated push type button
- Universal height
- Fully glazed trap-way

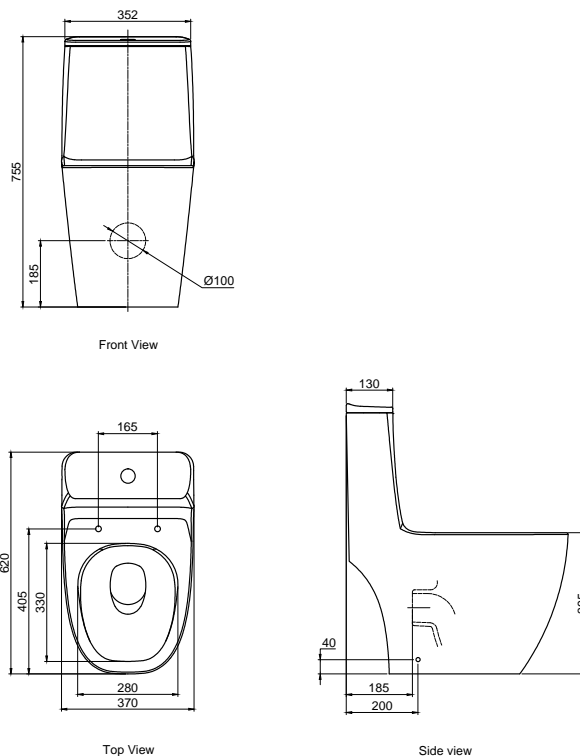
PRODUCT SPECIFICATIONS

- Dimension : 620(L) x 370(W) x 755(H)mm
- Material : Vitreous China
- Rough-in : 185mm
- Flushing type : Wash down
- Inlet connection : G1/2"
- Minimum water pressure : 55 kPa
- Trap seal : Min. 50mm
- Seat & Cover : FT-SC5387US
- Discharge volume : 4.5 - 6.0Litre / full flush
: 3.0Litre / reduced flush



ZeroRim
Technology

TECHNICAL DRAWING



All dimension are in mm.

DISCLAIMER : While every effort has been made to ensure factual accuracy, the information presented is subject to changes due to requirements in different sites, markets and / or countries. Rigel reserves the right to make the necessary amendments at any time without prior notice.

Rev : 1.0
Date : 19.07.2021